

**SUMMARY TABLE OF PATENTS AND TRADEMARKS**

1	PATENT	<a href="#">US9429078B1</a>	Multi-Compatible Digital Engine Controller	A digital engine controller compatible with multiple variants of gas turbine engine is programmed to receive identification of a variant of gas turbine engine coupled to the digital controller and thereafter to automatically determine and adjust inputs to the engine, according to the received identification of engine variant, to meet user-specified output.
2	PATENT	<a href="#">US9879609B1</a>	Multi-Compatible Digital Engine Controller	A digital engine controller compatible with multiple variants of gas turbine engine is programmed to receive identification of a variant of gas turbine engine coupled to the digital controller and thereafter to automatically determine and adjust inputs to the engine, according to the received identification of engine variant, to meet user-specified output.
3	PATENT	<a href="#">US9869305B1</a>	Pump-Engine Controller	A system controller manages a gas turbine engine driving a pump directly or indirectly coupled to the engine. The controller is programmed to automatically determine and adjust inputs to the gas turbine engine in order to cause the pump to produce a user-specified hydraulic output.
4	PATENT	<a href="#">US9689316B1</a>	Gas Turbine Engine Overspeed Prevention	A controller for a gas turbine engine is configured to respond to one or more prescribed engine overspeed conditions. Rather than shutting the engine down, the controller substantially reduces N1 airflow and substantially concurrently activates one or more engine igniters.
5	PATENT	<a href="#">US9638101B1</a>	System and Method for Automatically Controlling One or Multiple Turbogenerators	At least one controller manages a gas turbine engine driving a generator directly or indirectly coupled to the engine. The controller is programmed to automatically determine and adjust inputs to the gas turbine engine in order to cause the generator to produce a user-specified electrical output. Multiple sets of generator, engine, and controller may be used, in which case a master controller individually manages the other controllers to collectively provide the a user-specified electrical output.
6	PATENT	<a href="#">US9829002B2</a>	Pump System for High Pressure Application	A pump system for high pressure, high volume applications is presented. The pump system includes a turbo-shaft engine having a drive shaft and a high pressure, high RPM centrifugal pump coupled to the drive shaft. In certain embodiments the pump system further includes a second low pressure, high RPM centrifugal pump coupled to the drive shaft.
7	TRADEMARK	<a href="#">85907104</a>	CRUZ FRAC	Software to control high horsepower turbine driven pumps for use in hydraulic fracturing operations; electric components to control high horsepower turbine driven pumps for use in hydraulic fracturing operations, namely, integrated circuits, processors, controllers, digital data computers, relays and sensors. Diagnostic services in the field of high horsepower turbine driven pumps.
8	TRADEMARK	<a href="#">85004570</a>	FRAC STACK PACK	Hydraulic fracturing equipment consisting of pumps, gear boxes and turbine engines grouped together in a space-saving configuration.

PATENT

[US9429078B1](https://patents.google.com/patent/US9429078B1)

Multi-Compatible Digital Engine Controller

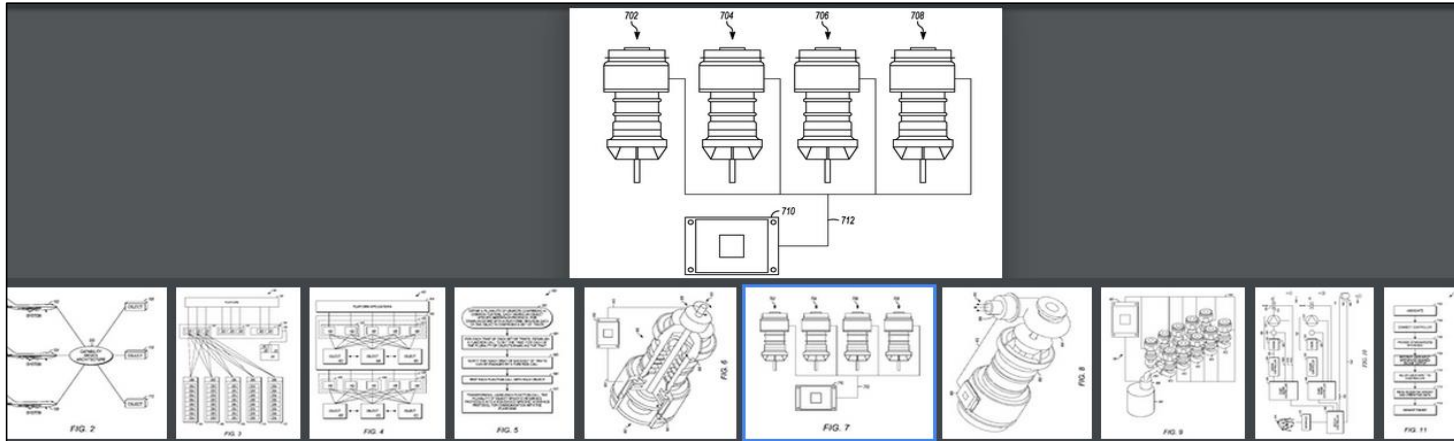
<https://patents.google.com/patent/US9429078B1/en?q=14%2f080%2c944>

**ABSTRACT**

A digital engine controller compatible with multiple variants of gas turbine engine is programmed to receive identification of a variant of gas turbine engine coupled to the digital controller and thereafter to automatically determine and adjust inputs to the engine, according to the received identification of engine variant, to meet user-specified output.

**ASSIGNEE**

Turbine Powered Technology, LLC and Tucson Embedded Systems, INC.



PATENT

[US9879609B1](#)

Multi-Compatible Digital Engine Controller

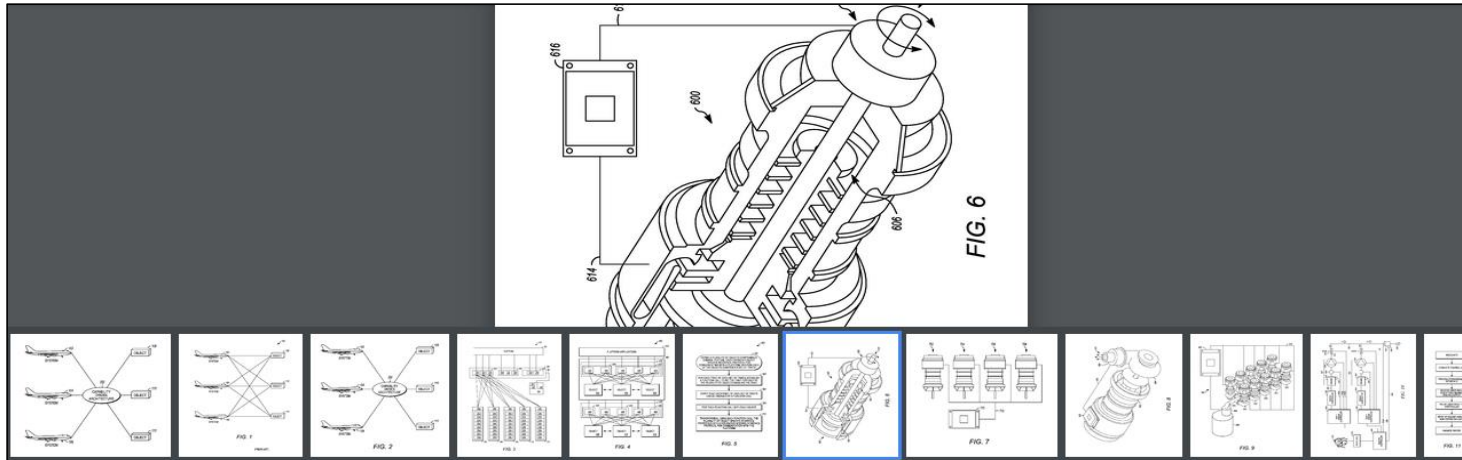
<https://patents.google.com/patent/US9879609B1/en?q=9%2c879%2c609>

**ABSTRACT**

A digital engine controller compatible with multiple variants of gas turbine engine is programmed to receive identification of a variant of gas turbine engine coupled to the digital controller and thereafter to automatically determine and adjust inputs to the engine, according to the received identification of engine variant, to meet user-specified output.

**ASSIGNEE**

Turbine Powered Technology, LLC and Tucson Embedded Systems, INC.

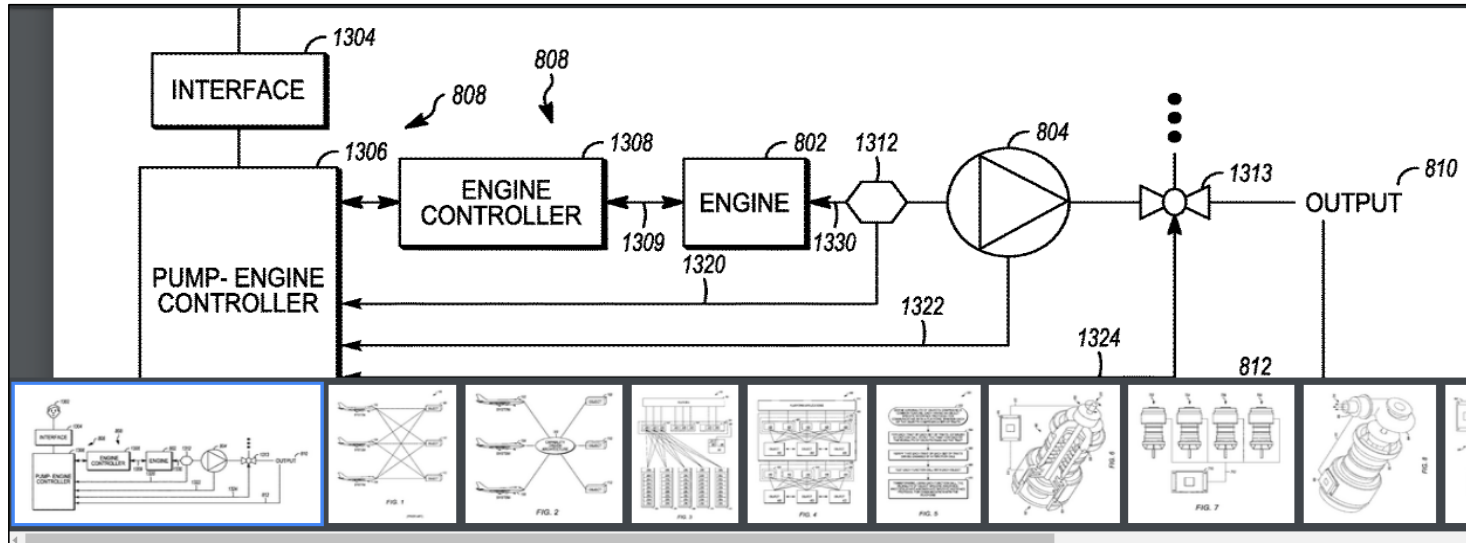


**ABSTRACT**

A system controller manages a gas turbine engine driving a pump directly or indirectly coupled to the engine. The controller is programmed to automatically determine and adjust inputs to the gas turbine engine in order to cause the pump to produce a user-specified hydraulic output.

**ASSIGNEE**

Turbine Powered Technology, LLC and Tucson Embedded Systems, INC.

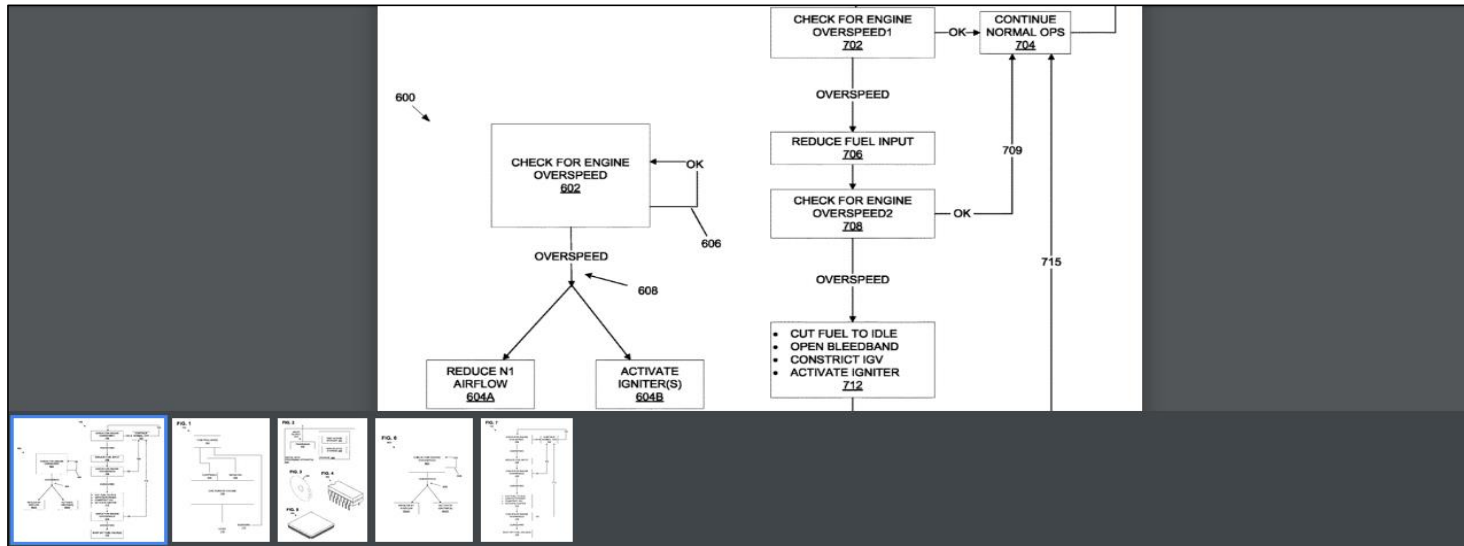


**ABSTRACT**

A controller for a gas turbine engine is configured to respond to one or more prescribed engine overspeed conditions. Rather than shutting the engine down, the controller substantially reduces N1 airflow and substantially concurrently activates one or more engine igniters.

**ASSIGNEE**

Turbine Powered Technology, LLC and Tucson Embedded Systems, INC.



PATENT

[US9638101B1](#)

System and Method for Automatically Controlling One or Multiple Turbogenerators

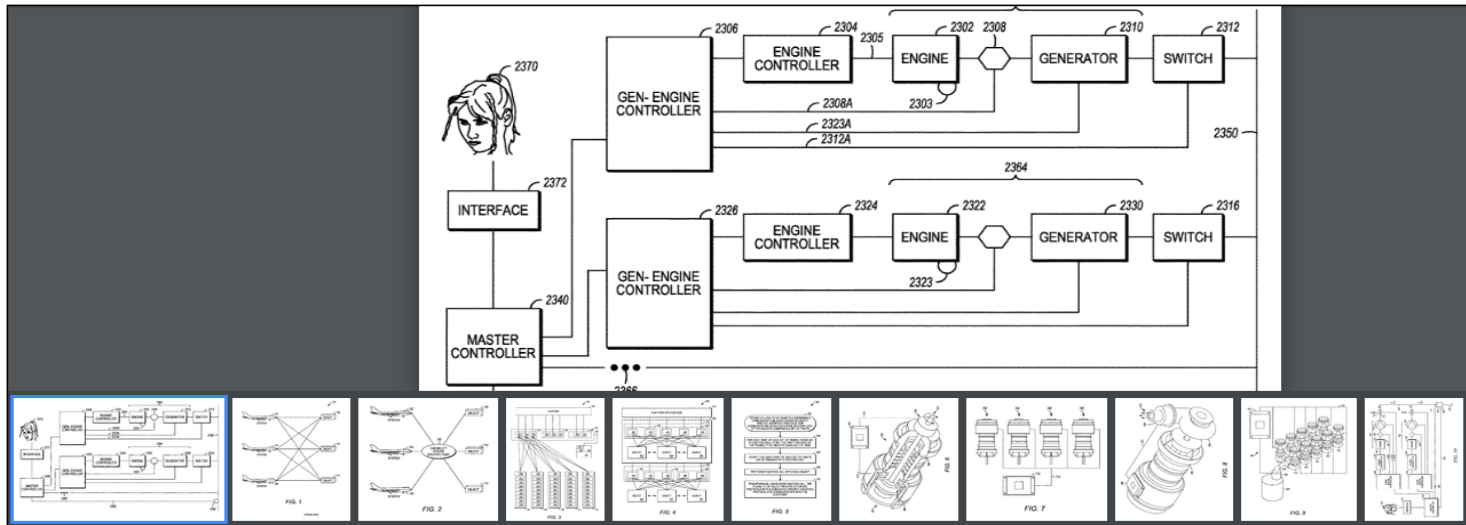
<https://patents.google.com/patent/US9638101B1/en?q=9638101>

[ABSTRACT](#)

At least one controller manages a gas turbine engine driving a generator directly or indirectly coupled to the engine. The controller is programmed to automatically determine and adjust inputs to the gas turbine engine in order to cause the generator to produce a user-specified electrical output. Multiple sets of generator, engine, and controller may be used, in which case a master controller individually manages the other controllers to collectively provide the a user-specified electrical output.

[ASSIGNEE](#)

Turbine Powered Technology, LLC and Tucson Embedded Systems, INC.



**PATENT**

[US9829002B2](https://patents.google.com/patent/US9829002B2)

Pump System for High Pressure Application

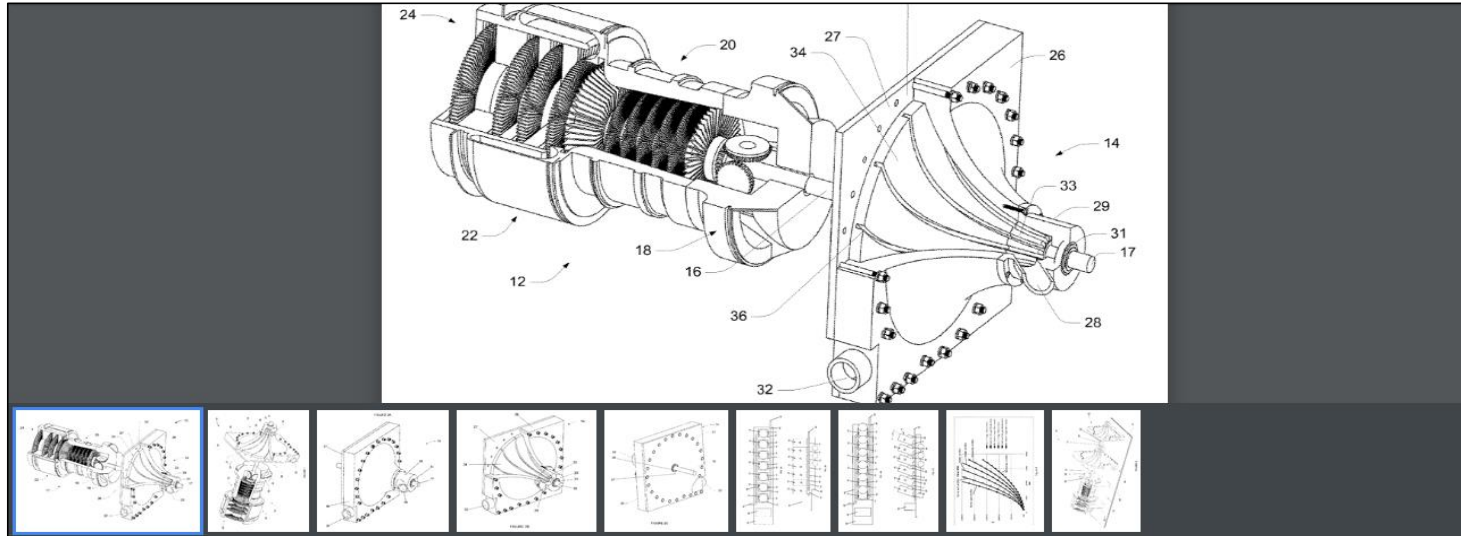
<https://patents.google.com/patent/US9829002B2/en?q=9829002>

**ABSTRACT**

A pump system for high pressure, high volume applications is presented. The pump system includes a turbo-shaft engine having a drive shaft and a high pressure, high RPM centrifugal pump coupled to the drive shaft. In certain embodiments the pump system further includes a second low pressure, high RPM centrifugal pump coupled to the drive shaft.

**ASSIGNEE**

Turbine Powered Technology, LLC and Tucson Embedded Systems, INC.



TRADEMARK 85907104

CRUZ FRAC

GOODS AND SERVICES

Software to control high horsepower turbine driven pumps for use in hydraulic fracturing operations; electric components to control high horsepower turbine driven pumps for use in hydraulic fracturing operations, namely, integrated circuits, processors, controllers, digital data computers, relays and sensors. Diagnostic services in the field of high horsepower turbine driven pumps.

ASSIGNEE

Turbine Powered Technology, LLC and Tucson Embedded Systems, INC.



United States Patent and Trademark Office

[Home](#) [Site Index](#) [Search](#) [FAQ](#) [Glossary](#) [Guides](#) [Contacts](#) [eBusiness](#) [eBiz alerts](#) [News](#) [Help](#)

[Trademarks](#) > [Trademark Electronic Search System \(TESS\)](#)

TESS was last updated on Thu Mar 15 04:51:03 EDT 2018

[TESS Home](#) [NEW USER](#) [STRUCTURED](#) [FEE FORMS](#) [BROWSE DATA](#) [SEARCH LOG](#) [BITMAP](#) [HELP](#)

[Logout](#) Please logout when you are done to release system resources allocated for you.

Record 1 out of 1

[TSDR](#) [ASSIGN Status](#) [TTAB Status](#) ( Use the "Back" button of the Internet Browser to return to TESS)

# CRUZFRAC

Word Mark	CRUZFRAC
Goods and Services	IC 009; US 021 023 026 036 038; G & S: Software to control high horsepower turbine driven pumps for use in hydraulic fracturing operations; electric components to control high horsepower turbine driven pumps for use in hydraulic fracturing operations, namely, integrated circuits, processors, controllers, digital data computers, relays and sensors. FIRST USE: 20140823; FIRST USE IN COMMERCE: 20141213
Standard Characters Claimed	IC 042; US 100 101; G & S: Diagnostic services in the field of high horsepower turbine driven pumps. FIRST USE: 20150202; FIRST USE IN COMMERCE: 20150202
Mark Drawing Code	(4) STANDARD CHARACTER MARK
Serial Number	85907104
Filing Date	April 17, 2013
Current Basis	1A
Original Filing Basis	1B
Published for Opposition	December 17, 2013
Registration Number	4724316
Registration Date	April 21, 2015
Owner	(REGISTRANT) Tucson Embedded Systems, Inc. CORPORATION ARIZONA Suite 160 5620 North Kolb Road Tucson ARIZONA 85750
Assignment Recorded	ASSIGNMENT RECORDED
Attorney of Record	Dan Hubert
Type of Mark	TRADEMARK SERVICE MARK
Registrar	PRINCIPAL
Live/Dead Indicator	LIVE



TRADEMARK 85004570

FRAC STACK PACK

GOODS AND SERVICES

Hydraulic fracturing equipment consisting of pumps, gear boxes and turbine engines grouped together in a space-saving configuration.

REGISTRANT

Marine Turbine Technologies, LLC



United States Patent and Trademark Office

[Home](#) [Site Index](#) [Search](#) [FAQ](#) [Glossary](#) [Guides](#) [Contacts](#) [eBusiness](#) [eBiz alerts](#) [News](#) [Help](#)

[Trademarks](#) > [Trademark Electronic Search System \(TESS\)](#)

TESS was last updated on Thu Mar 15 04:51:03 EDT 2018

[TESS HOME](#) [NEW USER](#) [STRUCTURED](#) [FREE FORM](#) [Browse Data](#) [SEARCH OG](#) [BOTTOM](#) [HELP](#)

[Logout](#) Please logout when you are done to release system resources allocated for you.

Record 1 out of 1

[TSDR](#) [ASSIGN Status](#) [TTAB Status](#) *( Use the "Back" button of the Internet Browser to return to TESS)*

## Frac Stack Pack

Word Mark	FRAC STACK PACK
Goods and Services	IC 017, US 001 005 012 013 035 050, G & S: Hydraulic fracturing equipment consisting of pumps, gear boxes, and turbine engines grouped together in a space-saving configuration. FIRST USE: 20100531. FIRST USE IN COMMERCE: 20100531
Standard Characters Claimed	
Mark Drawing Code	(4) STANDARD CHARACTER MARK
Serial Number	85004570
Filing Date	April 1, 2010
Current Basis	1A
Original Filing Basis	1B
Date Amended to Current Register	January 8, 2011
Registration Number	3999924
Registration Date	July 19, 2011
Owner	(REGISTRANT) Marine Turbine Technologies, L.L.C. LIMITED LIABILITY COMPANY LOUISIANA 298 Louisiana Road Franklin LOUISIANA 70538
Attorney of Record	Greg R. Mier
Disclaimer	NO CLAIM IS MADE TO THE EXCLUSIVE RIGHT TO USE "PACK" APART FROM THE MARK AS SHOWN
Type of Mark	TRADEMARK
Register	SUPPLEMENTAL
Affidavit Text	SECT 8 (6-YR).
Live/Dead Indicator	LIVE